



VALVE-REGULATED BATTERY

12AVR-145L 12AVR-145LLP

More Power in Same Space as 125 AH

FEATURES

- Pure lead low calcium, high tin positive grids
- Front access terminals
- Absorbed glass mat separators
- Tank formed plates
- Flame retardant polypropylene – UL94, V0 28% LOI jar and cover
- Flame arrestor
- Self sealing vents
- Epoxy post seals
- Design life 10 years @ 77°F (full float)

SPECIFICATIONS

Rating: 145 ah @ 8 hr rate to 1.75 vpc,
150 ah @ 10 hr rate to 1.75 vpc

Float Voltage: 13.50 v.p.b. @ 77°F (25°C)

Weight: 100 lbs. (45.4 Kg)



QUALITY SYSTEM
CERTIFIED TO
ISO 9001
QS 9000

DISCHARGE RATE IN AMPS *

Volts Per Cell (V.P.C.)	1 HR	2 HR	4 HR	5 HR	8 HR	10 HR	20 HR	24 HR
1.75	97.2	55.8	32.0	26.7	18.12	15.0	8.0	6.8

DISCHARGE RATE IN AH *

Volts Per Cell (V.P.C.)	1 HR	2 HR	4 HR	5 HR	8 HR	10 HR	20 HR	24 HR
1.75	97.2	111.5	127.9	133.6	145.0	150.0	159.5	162.1

* Subject to change without notice.

EAST PENN manufacturing co., inc.

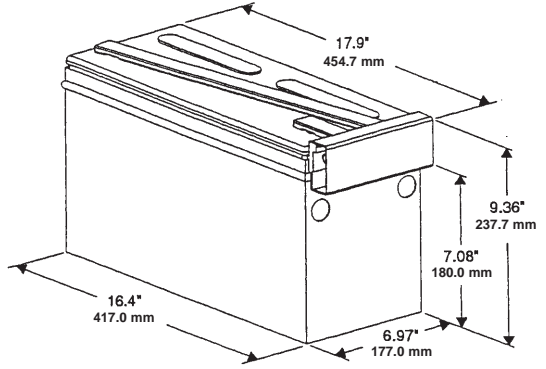
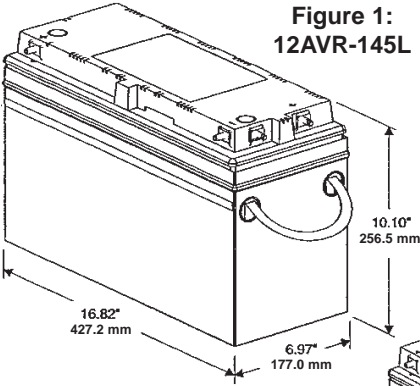
Lyon Station, PA 19536-0147 • Phone: 610-682-6361 • Fax: 610-682-4781

Order Department Hotline: 610-682-4231

www.dekabatteries.com • E-mail: sales@eastpennunigy.com



Product Code	Nominal Voltage	AH Capacity C/8 @ 1.75 v.p.c.	AH Capacity C/10 @ 1.75 v.p.c.	Length	Width	Height	Total Weight	Acid Volume
12AVR-145L	12V	145	150	16.82 in. 427.2 mm	6.97 in. 177.0 mm	10.10 in. 256.5 mm	100 lbs. 45.4 kg	2.17 gal. 8.22 L
12AVR-145LLP	12V	145	150	17.90 in. 454.7 mm	6.97 in. 177.0 mm	9.36 in. 237.7 mm	100 lbs. 45.4 kg	2.17 gal. 8.22 L



**Figure 5: Inter-Battery Connections
of 12AVR-145LLP**

