

Deka unigy®

HIGH RATE SERIES

The Deka Unigy High Rate Series line of absorbed valve-regulated, lead-acid batteries is designed specifically for high-rate uninterruptible power supplies (UPS). These batteries are housed in polypropylene or flame-retardant polypropylene (rated 28 LOI), 12-volt monoblocks. Absorbed glass-mat construction lowers internal resistance for superior high-rate, short-term discharges. I.C.C.O., I.M.D.G., I.A.T.A. and D.O.T. air transport approved.

Specifications

- NOMINAL VOLTAGE: 12-Volt
- FLOAT CHARGE VOLTAGE: 13.50 @ 77°F (25°C)
- EQUALIZE CHARGE VOLTAGE: 13.8
- OPERATING TEMPERATURE: 50° to 95°F (10°C to 35°C)
- TERMINAL: Lead terminal with 1/4 x 20 brass inserts
- TORQUE VALUE: 60 inch lbs.
- RIPPLE: Limited to 0.5% RMS or 1.5% of the float voltage
- SAFETY VENT: Flame arresting, low-pressure, self sealing on flame-retardant
Low-pressure, self sealing on standard



DATA SHEET FOR PART NUMBER:
31HR4000S*

* Delete "S" in part number for flame retardant (31HR4000)
Standard: Black Cover, Grey Case
Flame Retardant: Charcoal Cover and Case

Discharge Ratings in Watts Per Cell To Various End Voltages [at 77°F (25°C)]

Volts Per Cell (V.P.C.)	1 Min.	5 Min.	10 Min.	15 Min.	20 Min.	30 Min.	40 Min.	50 Min.	60 Min.
1.90	638	442	319	258	218	177	142	121	106
1.85	708	475	355	287	240	191	150	127	112
1.80	787	520	397	308	253	198	155	132	116
1.75	841	575	423	325	275	208	165	136	126
1.70	891	583	433	347	283	217	170	142	131
1.67	948	633	442	350	286	218	171	143	132
1.60	1008	667	468	358	300	225	174	144	133

Note: Above ratings conform to IEEE-485 standards.

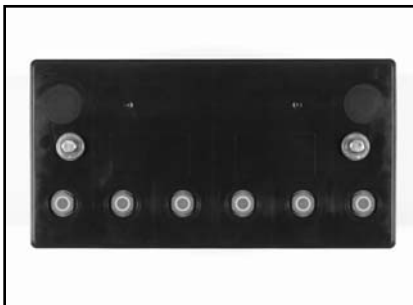
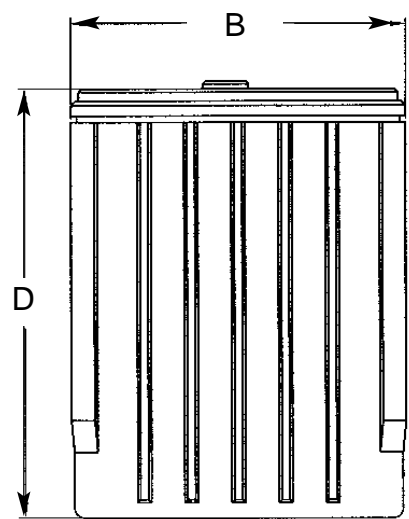
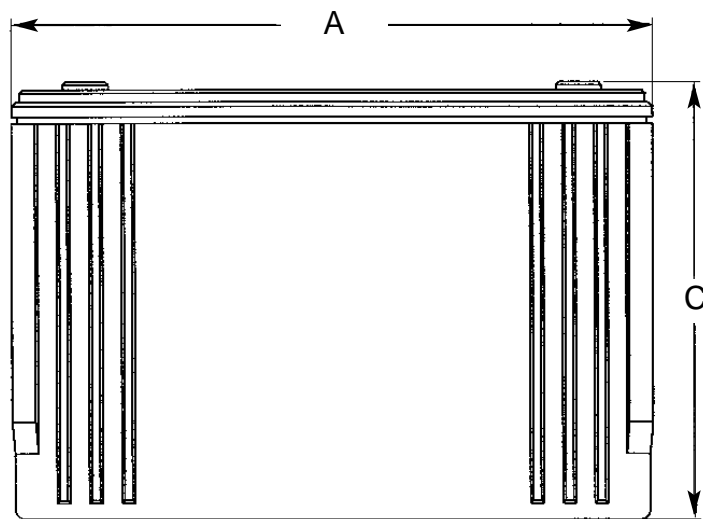
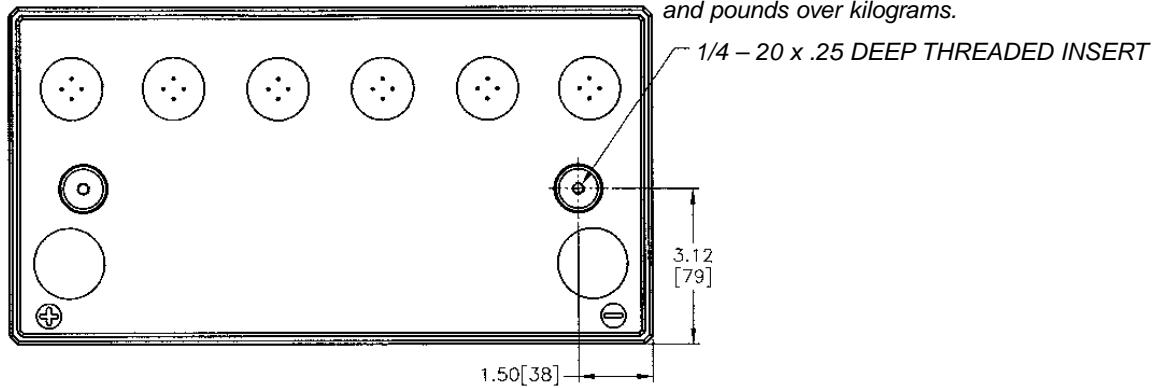
Discharge Ratings in Amperes To Various End Voltages [at 77°F (25°C)]

Volts Per Cell (V.P.C.)	15 Min.	30 Min.	60 Min.	3 Hrs.	8 Hrs.	12 Hrs.	20 Hrs.	48 Hrs.	100 Hrs.
1.90	135.00	92.00	53.70	22.00	9.60	6.90	4.46	2.01	1.01
1.85	151.40	100.00	57.60	23.00	9.90	7.09	4.57	2.05	1.03
1.80	165.00	107.00	61.50	24.00	10.20	7.28	4.68	2.10	1.05
1.75	174.00	114.00	68.20	27.00	11.30	8.17	5.25	2.31	1.16
1.70	180.70	116.00	68.60						
1.67	186.00	118.00	69.00						
1.60	198.00	122.00	70.30						

Note: Above ratings conform to IEEE-485 standards.

BATTERY	DIMENSIONS				WEIGHT
	A	B	C	D	
31HR4000S	12.93 (328.4)	6.75 (171.4)	8.74 (222.0)	8.58 (218.0)	69.0 (31.3)

Chart contains dimensions in inches over millimeters and pounds over kilograms.



Part Number: **31HR4000S**
Standard: Black Cover, Grey Case



Part Number: **31HR4000**
Flame Retardant: Charcoal Cover and Case



QUALITY SYSTEM
CERTIFIED TO
ISO 9001



"POWERED FOR PERFORMANCE"™

DISTRIBUTED BY:

EAST PENN manufacturing co., inc.

Lyon Station, PA 19536-0147 • Phone: 610-682-6361 • Fax: 610-682-4781

Order Department Hotline: 610-682-4231

www.eastpennunigy.com

E-mail: sales@eastpennunigy.com

E.P.M. Form No. 0965E Rev. 2/04

© 2004 by EPM Printed in U.S.A.

No part of this document may be copied or reproduced, electronically or mechanically, without written permission from the company.