



HRD-SERIES UPS BATTERY

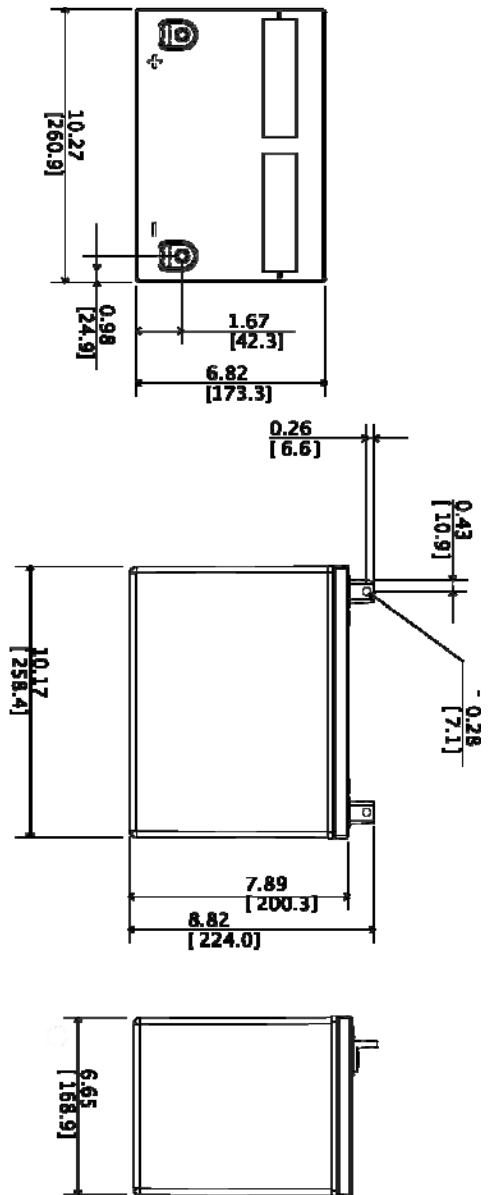
HRD12-270F

VALVE REGULATED
LEAD ACID BATTERY
FOR UPS STANDBY
POWER APPLICATIONS

- 12V / 75 AH @ 20 HR RATE
- 12V / 282 WPC @ 15 MIN. RATE

FEATURES:

- 10 Year design life @ 25C (77F)
- Absorbent Glass Mat (AGM) technology for efficient gas recombination of up to 99% and freedom from electrolyte maintenance.
- Flame arresting one-way pressure relief valve providing vacuum and controlled backpressure for long life recombinant operation.
- Thermally welded case-to-cover bond to eliminate leakage.
- Designed to comply with ANSI and Eurobat battery standards.
- Can be mounted in any orientation. Upright, side or end mounting recommended.
- UL-Recognized component.
- Not restricted for air transport – Complies with IATA/ICAO Special Provision A67.
- Not restricted for surface transport – Classified as non-hazardous material as related to DOT-CFR Title 49 parts 171-189.
- Flame retardant polypropylene case and cover compliant with UL 1778.



HRD12-270F – Specifications

Cells Per Unit	Voltage Per Unit	Weight	Electrolyte	Max. Dischg. Current	Short Circuit Current	Ohms Imped.
6	12	57 lbs 26 kg	Absorbed H2SO4 SG = 1.300	800 Amps	3600 Amps	0.0040 Ohms

Capacity	282 watts per cell at the 15 minute rate to 1.67 volts per cell at 77F (25C). 75 Ampere-hours @ 20 hour rate to 1.75 volts per cell at 77F (25C). 66 Ampere-hours at 10 hour rate to 1.80 volts per cell at 20C (68F).
Operating Temp. Range	Discharge: -40F (40C) to 160F (71C) Charge: -10F (-23C) to 140F (60C)
Nominal Operating Temp.	74F (23C) to 80F (27C)
Float Charging Voltage	13.5 to 13.8 VDC per unit. Average at 77F (25C).
Max. Charging Current	C/5 Amperes (17.6 amperes @ 100% DOD) @ 20 hour rate.
Equalization & Cycle Service Charging Voltage	14.4 to 14.8 VDC per unit. Average at 77F (25C).
Max. AC Ripple Current	0.5% RMS or 1.5% P-P of float charge voltage recommended for best results. Maximum voltage allowed = 1.4% RMS (4% P-P) Maximum current allowed = 4.4 amperes RMS (C/20)
Self Discharge	Triton UPS batteries may be stored for up to 6 months at 77F (25C) and then a freshening charge is required. For higher temperatures the time interval will be shorter.
Accessories	Inter unit connectors, racks and cabinet systems are available.
Terminal	L-Terminal with 0.28" clearance hole to accept 0.25" (6mm) bolt.
Initial Hardware Torque	40 in-lbs (7.4 N-m)
Annual Hardware Torque	32 in-lbs (5.88 N-m)

Constant Power Discharge Ratings – Watts Per Cell @ 77F (25C)

End Point Volts/Cell	Operating Time to End Point Voltage (in minutes)									
	5	10	15	20	30	40	45	50	60	90
1.75	484	342	270	225	171	137	125	115	98	71
1.67	524	361	282	233	176	141	129	119	104	76

Constant Current Discharge Ratings – Amperes @ 77F (25C)

End Point Volts/Cell	Operating Time to End Point Voltage (in hours)									
	0.50	1	2	3	5	8	10	12	24	72
1.80	81.0	46.5	27.0	19.6	12.7	8.45	6.92	5.86	3.06	1.03
1.75	88.0	50.0	28.4	20.3	13.2	8.73	7.12	6.04	3.15	1.06