

MORE POWER - LESS SPACE®



unigy I®

12AVR40

- Exclusive IPF® technology optimizes power capacity, cell consistency, and long-term reliability
- Advanced AGM technology for superior power
- Puncture resistant micro-porous glass mat separators extend life
- Reinforced case resists bulging and meets safety requirements (UL 94 V-0)
- Case & cover heat sealed and 100% tested to prevent leaks
- Epoxy sealed posts eliminate leaks
- Flame arresting, low-pressure, self-sealing valves are 100% factory tested
- Computer-aided design and manufacturing control processes and standards to ensure quality products
- All batteries meet or exceed IEEE recommended practices
- Battery design and construction meet UL recognition requirements
- Plate thickness optimized for long life
- Guaranteed 100% initial string capacity when tested in accordance with IEEE 1188
- Designed to meet GR4228 specifications
- 48 volt system fits in 19" relay rack tray



SPECIFICATIONS

Nominal Voltage: 12-Volts

Rating: 35.4 Ampere-Hours
@ 8 hr. rate to 1.75 V.P.C.

Positive Plate: >98% Pure lead with tin-calcium alloy

Negative Plate: Pure lead, calcium alloy

Post Seal: Epoxy-sealed

Terminal: Top access, #10-32 UNF threaded insert

Case/Cover: Flame-retardant, polypropylene –
UL 94 V-0/>28% L.O.I.

Safety Vent: Low positive pressure,
self-sealing w/ flame arrestor

Float Voltage: 2.25 V.P.C. ± 0.01 V.P.C. @ 77°F (25°C)
Range: (13.44V to 13.56V per battery)

Design life: 10 years in float applications @ 77°F (25°C)

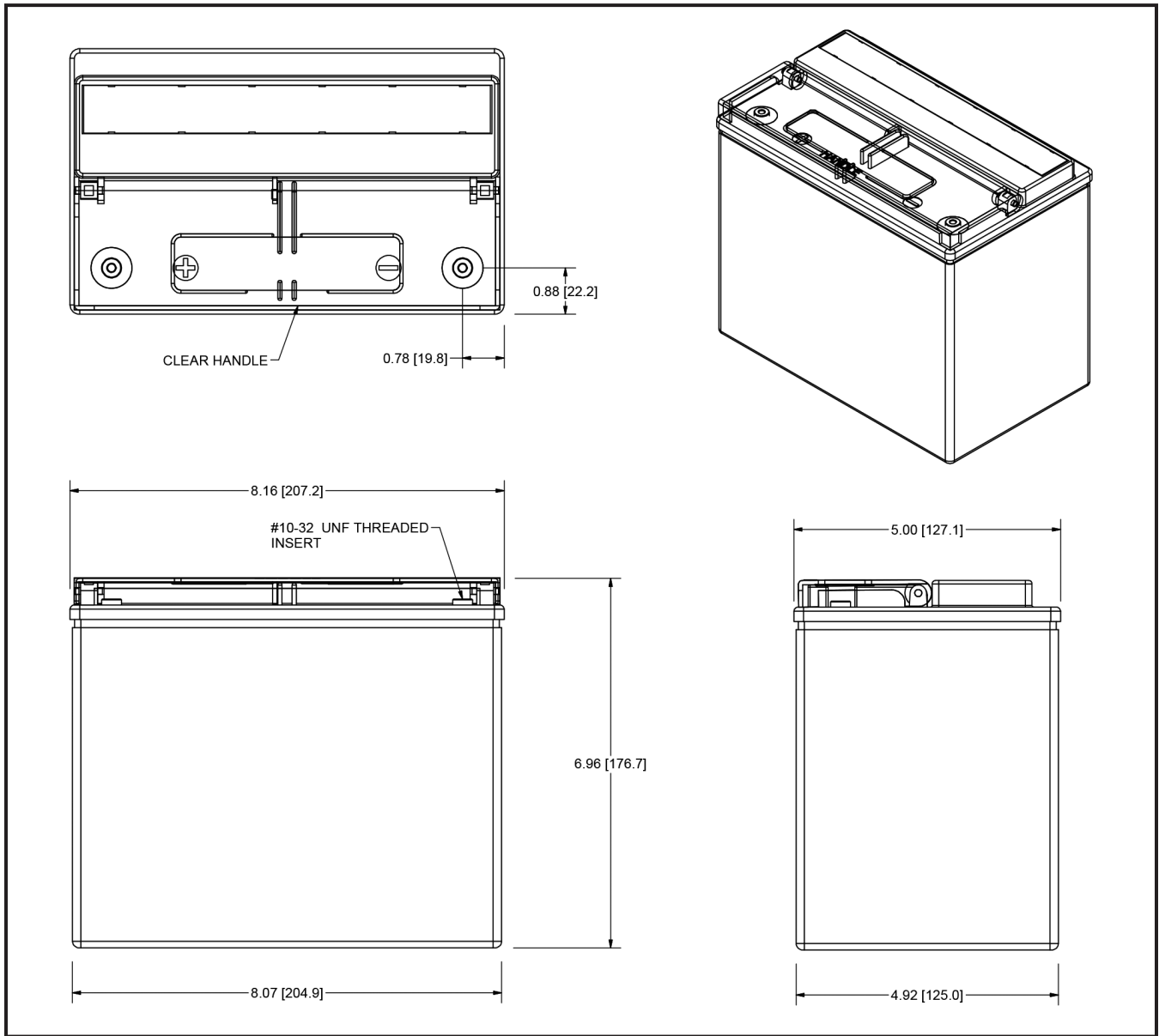
Dimensions: Length - 8.16" (207.2 mm)
Width - 5.00" (127.1 mm)
Height - 6.96" (176.7 mm)

Weight: 27.5 lbs. (12 kg)

DISCHARGE RATINGS IN AMPS @ 77°F (25°C)†

Volts per Cell (V.P.C.)	1 HR.	2 HR.	3 HR.	4 HR.	5 HR.	8 HR.	12 HR.	20 HR.	24 HR.
1.75	24.2	14.2	10.1	8.0	6.7	4.4	3.1	1.9	1.6
1.80	23.8	14.0	10.0	7.9	6.6	4.4	3.0	1.9	1.6
1.85	23.1	13.6	9.7	7.7	6.4	4.2	2.9	1.8	1.5
1.88	22.2	13.1	9.3	7.4	6.1	4.0	2.8	1.7	1.5
1.90	21.5	12.7	9.0	7.1	5.9	3.9	2.7	1.7	1.4

† Subject to change without notice.



INSTALLATION AND OPERATING INSTRUCTIONS

<http://www.eastpenmanufacturing.com/wp-content/uploads/Unigy-I-10-Manual-0902.pdf>

PROPOSITION 65 WARNING: Battery posts, terminals and related accessories contain lead and lead compounds, chemicals known to the State of California to cause cancer and reproductive harm. Batteries also contain other chemicals known to the State of California to cause cancer. **WASH HANDS AFTER HANDLING.**



www.dekabatteries.com

QUALITY SYSTEM
CERTIFIED
ISO 9001
IATF 16949
ENVIRONMENTAL
SYSTEM CERTIFIED
ISO 14001



East Penn Manufacturing Co. Lyon Station, PA 19536-0147 Phone: 610-682-3263 Fax: 610-682-0891 e-mail: reservepowersales@dekabatteries.com

E.P.M. Form No. 2383 10/20 © 2020 by EPM Printed in U.S.A.

All data subject to change without notice. No part of this document may be copied or reproduced, electronically or mechanically, without written permission from the company.