

MORE POWER – LESS SPACE™



HIGH RATE SERIES

HR5500

- **Exclusive IPF® Technology optimizes power capacity, cell consistency, and long-term reliability**
- Advanced AGM technology for superior high rate, short term power
- Reinforced case resists bulging and meets safety requirements
- Case & cover heat sealed and 100% tested to prevent leaks
- Epoxy-sealed posts eliminate leaks
- Puncture resistant micro-porous glass mat separators extend life
- Flame arresting, low pressure, self-sealing valves are 100% factory tested
- Computer-aided design, manufacturing control processes, and standards to ensure quality products
- All batteries meet or exceed IEEE recommended practices
- Battery design and construction meet UL recognition requirements



QUALITY SYSTEM CERTIFIED
ISO 9001
ISO/TS 16949
 ENVIRONMENTAL SYSTEM CERTIFIED
ISO 14001



SPECIFICATIONS

Nominal Voltage: 12-Volt/550 w.p.c.
 @ 15 min. rate to 1.67 v.p.c.

Positive Plate: Pure lead, low-calcium, high-tin alloy

Negative Plate: Lead calcium alloy

Post Seal: Epoxy-sealed

Terminal: Top access,
 1/4" - 20 threaded insert

Container: Flame-retardant, polypropylene -
 UL 94 V-0/>28% L.O.I.

Safety Vent: Low positive pressure,
 self-sealing w/ flame arrestor

Float Voltage: 2.25 v.p.c. ± 0.01 v.p.c. (Range: 13.44
 to 13.56 volts per 6-cell battery)

Design Life: 10 years in float applications
 at 77°F (25°C)

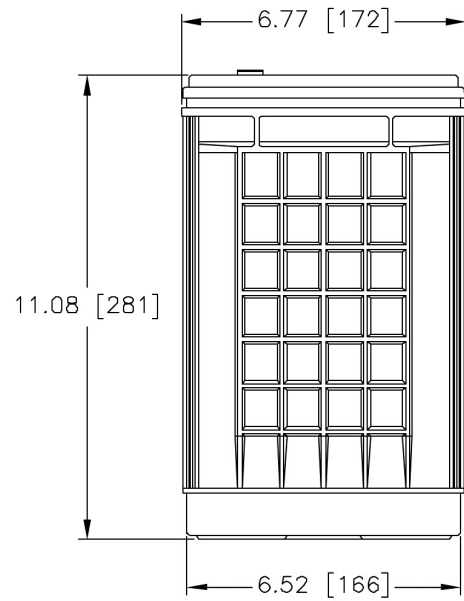
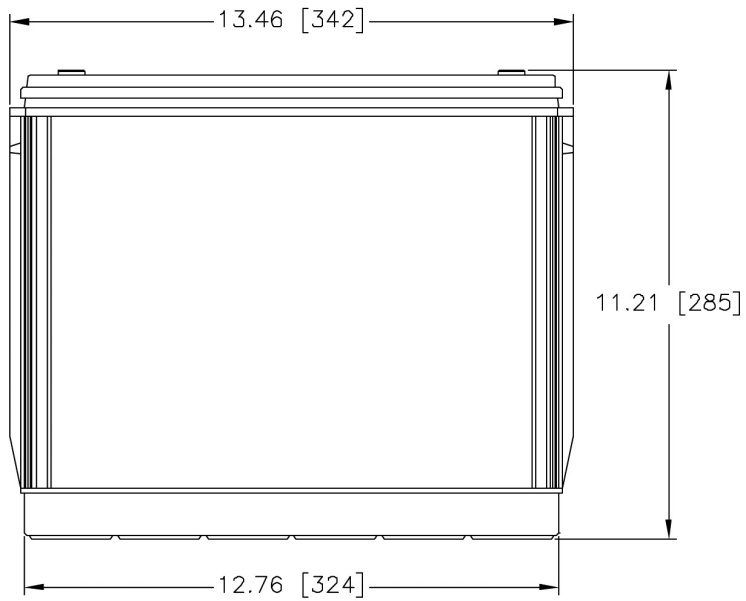
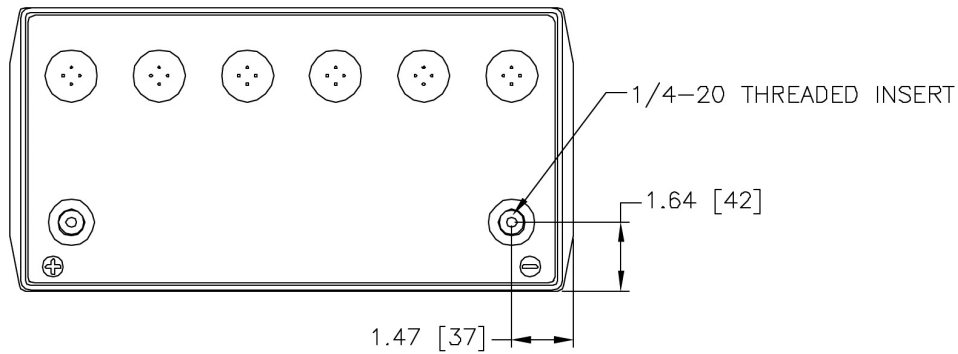
Dimensions: 13.46" (342 mm) L
 x 6.77" (172 mm) W
 x 11.21" (285 mm) H

Weight: 107 lbs. (48.5 kg)

DISCHARGE RATE IN WATTS PER CELL RATINGS @ 77°F (25°C)†

Volts Per Cell (VPC)	1 MIN.	5 MINS.	10 MINS.	15 MINS.	20 MINS.	30 MINS.	40 MINS.	60 MINS.
1.60	1328	964	724	572	471	350	279	200
1.67	1208	888	682	550	459	345	277	199
1.70	—	849	660	536	450	341	274	198
1.75	—	782	622	504	429	330	268	196
1.80	—	701	559	467	400	312	256	188

† Subject to change without notice.



"POWERED FOR PERFORMANCE"®
EAST PENN manufacturing co., inc.

Lyon Station, PA 19536-0147 • Phone: 610-682-6361 • Fax: 610-682-4781
 Order Department Hotline: 610-682-4231
 www.eastpennunigy.com • e-mail: sales@eastpennunigy.com

E.P.M. Form No. 1837 1/12 © 2012 by EPM Printed in U.S.A.

All data subject to change without notice.
 No part of this document may be copied or reproduced, electronically
 or mechanically, without written permission from the company.