

12-1037

DYNASTY®

TRUE FRONT ACCESS

HIGH RATE MAX
UPS 12-615MRXF
UPS 12-700MRXF
UPS 12-830MRXF
UPS 12-1000MRXF



Valve Regulated Lead Acid (VRLA) Battery Series Designed for UPS Standby Power Applications

FEATURES & BENEFITS

- Higher watts/cell allows reduction in parallel strings for common UPS configurations, providing reduced footprint and/or lower Total Cost of Ownership
- 10 Year Design Life @ 25°C
- True Front Access threaded copper alloy inserts for reduced maintenance and increased safety
- Patented Long Life Alloy having the lowest calcium levels in the industry - minimizing grid growth, reducing gassing, and extending battery life
- Terminal versatility - ease of diagnostic readings with C&D Ohmic Ring®
- Innovative front terminal design maximizing energy density with direct connect extrusion fusion weld technology
- Reduced headspace requirements resulting in higher energy density for cabinet or rack applications
- UL-recognized component
- Flame-retardant polypropylene case and cover compliant with UL94 V-0 with an Oxygen Limiting Index of greater than 28
- Absorbent Glass Mat (AGM) technology for efficient gas recombination of over 99%
- Flame-arresting, one-way pressure-relief vent for safety and long life
- Complies with UL1778, 924, 1989 and 94 V-0. BS6290-4, IEC-896-2
- Not restricted for air transport - Complies with IATA/ICAO Special Provision A67
- Not restricted for surface transport - classified as non-hazardous material as related to DOT-CFR Title 49 parts 171-189
- Not restricted for water transport - classified as non-hazardous material per Amendment 27
- Thermally welded case-to-cover bond to ensure a leak-proof seal

APPLICATIONS

- Data Centers
- Network Operations Centers
- Industrial Process Control Facilities
- Internet Hosting Sites
- Semiconductor Manufacturing
- Banks & Financial Markets
- Power Generation Plants
- Hospitals & Testing Laboratories
- Emergency 911 Response Centers

SPECIFICATIONS

Model	Voltage	AH 20 hr*	Constant Power Discharge Ratings - Watts per Cell @ 77°F (25°C)								
			Operating Time (in minutes) to 1.67 Volts per Cell								
			5	10	15	20	30	40	50	60	90
UPS12-615MRXF	12	172	1028	772	615	514	393	319	272	238	172
UPS12-700MRXF	12	201	1118	866	700	583	453	369	314	275	200
UPS12-830MRXF	12	251	1328	1029	830	713	568	460	391	342	243
UPS12-1000MRXF	12	254	1520	1210	1000	824	616	491	412	357	257

*Nominal 20 hr rate to 1.75 VPC in Ampere-Hours @ 25°C

INTRODUCING A UPS FRONT ACCESS BATTERY WITH TRUE FRONT ACCESS TERMINALS

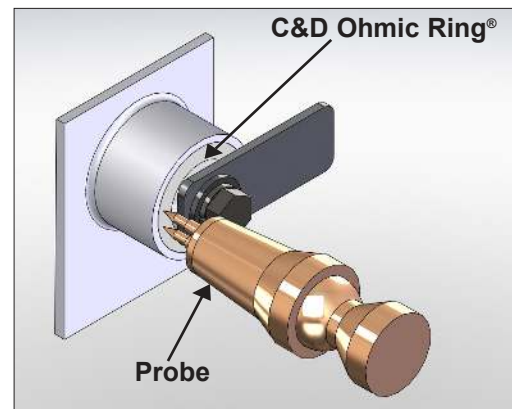
The Dynasty™ True Front Access UPS Battery - The Better UPS Battery

- **Designed as a UPS battery from the ground up to efficiently handle high rate discharges**
 - Not a converted telecom front access battery
- **Direct welded front facing terminals**
 - Uses proven Dynasty Extrusion Fusion welding process for high reliability
 - Larger welds decrease internal temperatures which slows grid growth and extends battery life
 - Provides most efficient current path for excellent high rate performance
 - No bolted on "L" brackets which try to make a top terminals battery into a front terminal battery
 - One less bolted connection that requires maintenance, minimizes resistance, that can lead to poor string performance
- **Eliminate hard to service top terminal batteries with a full front access solution**
 - Raised terminals for ease of maintenance and access to C&D Ohmic Ring®
- **Maintenance is significantly easier and safer with all required service points front accessible**
 - Reduces both time and cost of periodic servicing
- **As a 12V battery design, the UPS12-615MRXF, UPS12-700MRXF, UPS12-830MRXF & UPS12-1000MRXF models easily integrate with existing battery monitoring equipment.**



C&D Ohmic Ring®

- **Large surface area for direct access to terminals for accurate ohmic measurements**
 - No more taking readings from bus bars or hardware which can lead to substantial errors
- **Provides consistent and accurate measuring location**
 - No guessing of the location used for the base line reading
- **Ideally sized for use with standard monitor probes on fully installed systems**
- **The Ohmic Ring design is the only terminal configuration in which micro-ohm connection resistances can be taken as required by standard maintenance programs.**

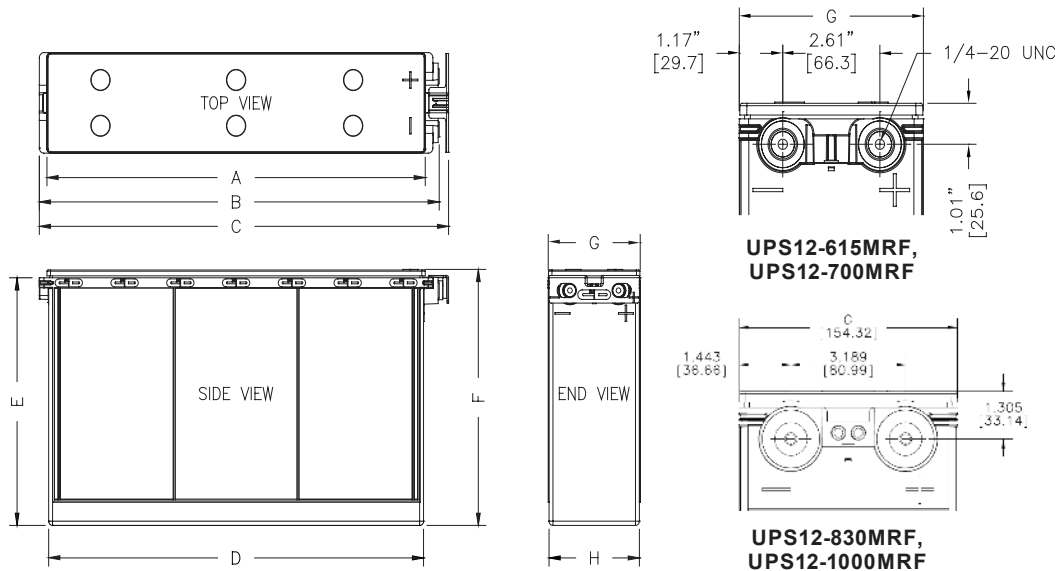


SPECIFICATIONS

Operating Temperature Range with temperature compensation	Discharge: -40°F (-40°C) to +160°F (71°C) Charge: -10°F (-23°C) to +140°F (60°C)
Nominal Operating Temperature Range	+74°F (23°C) to +80°F (27°C)
Recommended Maximum Charging Current Limit	C ₂₀ /5 amperes (UPS12-615MRXF: 35.2A, UPS12-700MRXF: 41.2, UPS12-830MRXF: 50.2, UPS12-1000MRXF: 50.8)
Float Charging Voltage	13.5 to 13.8 VDC average per 12V unit @ 77°F (25°C)
Maximum AC Ripple (Charger)	0.5% RMS or 1.5% P-P of float charge voltage recommended for best results. Max voltage allowed = 1.4% RMS (4% P-P) Max current allowed = C ₂₀ /20
Self Discharge	Battery can be stored up to 6 months at 77°F (25°C) before a freshening charge is required. Batteries stored at temperatures greater than 77°F (25°C) will require recharge sooner than batteries stored at lower temperatures. See C&D brochure 41-7272, Self-Discharge and Inventory Control for details.
Equalize Charge and Cycle Service Voltage	14.40 to 14.80 VDC average per 12V unit @ 77°F (25°C)
Terminal: Inserted - Inter-unit connector provided	Threaded copper alloy insert terminal to accept M8 bolt
Terminal Hardware Torque	160 in.-lbs. (18 N-m)

Model	Cells per Unit	IEC Short Circuit Current (A)	IEC Resistance (mOhms)	Battery Weight	
				lbs	kg
UPS12-615MRXF	6	3700	3.4	121.7	55.2
UPS12-700MRXF	6	4400	2.8	143.1	64.9
UPS12-830MRXF	6	5376	2.31	170.4	77.3
UPS12-1000MRXF	6	5540	2.3	187.9	85.2

DIMENSIONS



Model	A		B		C		D		E		F		G		H	
	in	mm	in	mm	in	mm	in	mm	in	mm	in	mm	in	mm	in	mm
UPS12-615MRXF	20.4	517	21.5	546	22.0	559	20.2	512	10.6	270	11.0	278.7	4.9	125	4.9	125
UPS12-700MRXF	20.4	517	21.5	546	22.0	559	20.2	512	12.2	310.8	12.6	322.1	4.9	125	4.9	125
UPS12-830MRXF	20.4	517	21.5	546	22.0	559	20.2	512	12.2	310	12.7	322	6.1	154	6.0	152
UPS12-1000MRXF	20.4	517	21.5	546	22.0	559	20.2	512	12.2	310	12.7	322	6.1	154	6.0	152

Note: All dimensions in inches and [millimeters]. All dimensions are for reference only. Contact a C&D representative for complete dimensional information. Batteries to be mounted with 0.5 in. (1.25 cm) spacing minimum and free air ventilation.

UPS12-615MRXF

End Volts/Cell	Constant Power Discharge Ratings - Watts Per Cell @ 77°F (25°C)									
	Operating Time to End Voltage (in minutes)									
	5	10	15	20	30	40	45	50	60	90
1.75	973.6	731.7	583.0	494.2	386.0	313.6	288.0	266.9	234.0	169.0
1.70	1010.4	759.3	605.0	508.0	391.0	317.4	291.4	269.9	236.5	170.7
1.67	1027.1	771.8	615.0	513.8	392.5	318.8	292.8	271.3	237.8	171.5
1.65	1035.4	778.1	620.0	513.8	393.5	319.5	293.4	271.8	238.2	172.0

End Volts/Cell	Constant Current Discharge Ratings - Amperes @ 77°F (25°C)									
	Operating Time to End Voltage (in hours)									
	1	2	3	5	8	10	12	20	24	72
1.85	109.0	61.8	44.0	28.7	19.0	15.5	13.1	8.1	6.81	2.38
1.80	118.0	65.8	46.7	30.4	20.1	16.3	13.8	8.47	7.12	2.49
1.75	120.0	67.0	47.5	30.9	20.3	16.5	13.9	8.61	7.26	2.54

UPS12-700MRXF

End Volts/Cell	Constant Power Discharge Ratings - Watts Per Cell @ 77°F (25°C)									
	Operating Time to End Voltage (in minutes)									
	5	10	15	20	30	40	45	50	60	90
1.75	1020.6	780.0	630.0	544.1	437.0	358.7	330.8	307.7	271.5	196.5
1.70	1083.8	839.6	669.0	570.2	449.0	365.5	336.0	311.6	273.5	198.6
1.67	1117.8	866.0	700.0	583.0	453.0	368.1	338.1	313.3	274.7	199.3
1.65	1134.0	878.5	703.0	590.0	457.0	370.3	339.7	314.5	275.2	199.7

End Volts/Cell	Constant Current Discharge Ratings - Amperes @ 77°F (25°C)									
	Operating Time to End Voltage (in hours)									
	1	2	3	5	8	10	12	20	24	72
1.85	121.0	71.4	51.1	33.5	22.1	18.0	15.2	9.48	8.01	2.8
1.80	130.0	75.1	53.9	35.2	23.2	18.8	15.9	9.88	8.34	2.92
1.75	134.0	76.6	54.6	35.7	23.6	19.2	16.2	10.07	8.51	2.98

Note: Batteries to be mounted with 0.5 in. (1.25 cm) spacing minimum and free air ventilation. Specifications subject to change without notification. Above ratings do not include inter-unit connector voltage drops. Additional ratings and application information are available in the Battery Selection Program found at www.cdstandbypower.net

UPS12-830MRXF

End Volts/Cell	Constant Power Discharge Ratings - Watts Per Cell @ 77°F (25°C)									
	Operating Time to End Voltage (in minutes)									
	5	10	15	20	30	40	45	50	60	90
1.75	1206.3	934.9	753.9	661.3	543.5	444.9	409.9	381.0	335.6	238.8
1.70	1268.2	982.9	792.6	688.9	558.5	454.2	417.3	386.9	339.4	241.3
1.67	1328.0	1029.2	830.0	713.0	567.9	460.1	422.0	390.7	341.9	242.8
1.65	1334.2	1034.0	833.9	717.5	573.0	463.3	424.7	392.9	343.4	244.0

End Volts/Cell	Constant Current Discharge Ratings - Amperes @ 77°F (25°C)									
	Operating Time to End Voltage (in hours)									
	1	2	3	5	8	10	12	20	24	72
1.85	156.0	90.1	65.2	42.3	27.8	22.7	19.2	11.9	10.0	3.5
1.80	164.0	94.0	67.5	43.8	29.1	23.8	20.1	12.4	10.4	3.6
1.75	169.5	96.2	68.4	44.4	29.7	24.2	20.5	12.6	10.6	3.7

UPS12-1000MRXF

End Volts/Cell	Constant Power Discharge Ratings - Watts Per Cell @ 77°F (25°C)									
	Operating Time to End Voltage (in minutes)									
	5	10	15	20	30	40	45	50	60	90
1.75	1379.8	1098.4	907.8	763.7	589.7	472.2	431.2	397.5	345.3	250.1
1.70	1469.0	1169.4	966.4	801.7	606.1	484.4	442.0	407.1	353.2	254.7
1.67	1520.0	1210.0	1000.0	823.7	616.2	491.2	447.7	412.0	356.9	256.7
1.65	1541.9	1227.5	1014.4	834.1	622.3	495.5	451.4	415.2	359.4	257.9

End Volts/Cell	Constant Current Discharge Ratings - Amperes @ 77°F (25°C)									
	Operating Time to End Voltage (in hours)									
	1	2	3	5	8	10	12	20	24	72
1.85	168.0	96.1	67.9	43.2	28.1	22.9	19.4	12.1	10.2	3.6
1.80	181.1	102.0	71.3	45.0	29.3	23.9	20.2	12.5	10.6	3.7
1.75	187.5	104.1	72.1	45.4	29.7	24.3	20.6	12.7	10.7	3.8

Note: Batteries to be mounted with 0.5 in. (1.25 cm) spacing minimum and free air ventilation. Specifications subject to change without notification. Above ratings do not include inter-unit connector voltage drops. Additional ratings and application information are available in the Battery Selection Program found at www.cdstandbypower.net

TECHNOLOGIES, INC.

1400 Union Meeting Road
P.O. Box 3053 • Blue Bell, PA 19422-0858
(215) 619-2700 • Fax (215) 619-7899 • (800) 543-8630
customersvc@cdtechno.com
www.cdtechno.com

Any data, descriptions or specifications presented herein are subject to revision by C&D Technologies, Inc. without notice. While such information is believed to be accurate as indicated herein, C&D Technologies, Inc. makes no warranty and hereby disclaims all warranties, express or implied, with regard to the accuracy or completeness of such information. Further, because the product(s) featured herein may be used under conditions beyond its control, C&D Technologies, Inc. hereby disclaims all warranties, either express or implied, concerning the fitness or suitability of such product(s) for any particular use or in any specific application or arising from any course of dealing or usage of trade. The user is solely responsible for determining the suitability of the product(s) featured herein for user's intended purpose and in user's specific application.

Copyright ©2021 C&D TECHNOLOGIES, INC. Printed in U.S.A. 12-1037 0121/CD